

Filter Press Paper Fill in Sheet (2 pages)

Email Document to info@greatlakesfilters.com or Call
Great Lakes Filters at (800) 521-8565

A: _____

B: _____

C: (measure center of hole to center of hole) _____ G: (measure center of hole to edge) _____

D: (measure center of hole to edge) _____ H: (measure center of hole to edge) _____

E: (measure center of hole to center of hole) _____

F: (measure center of hole to center of hole) _____

Hole Diameter: (Mark holes on drawing if more than one size) _____

Flat Sewn or Barrel Neck (circle one)

Fill in Grommets where applicable on Drawing

Name: _____

Company Name: _____

Email: _____

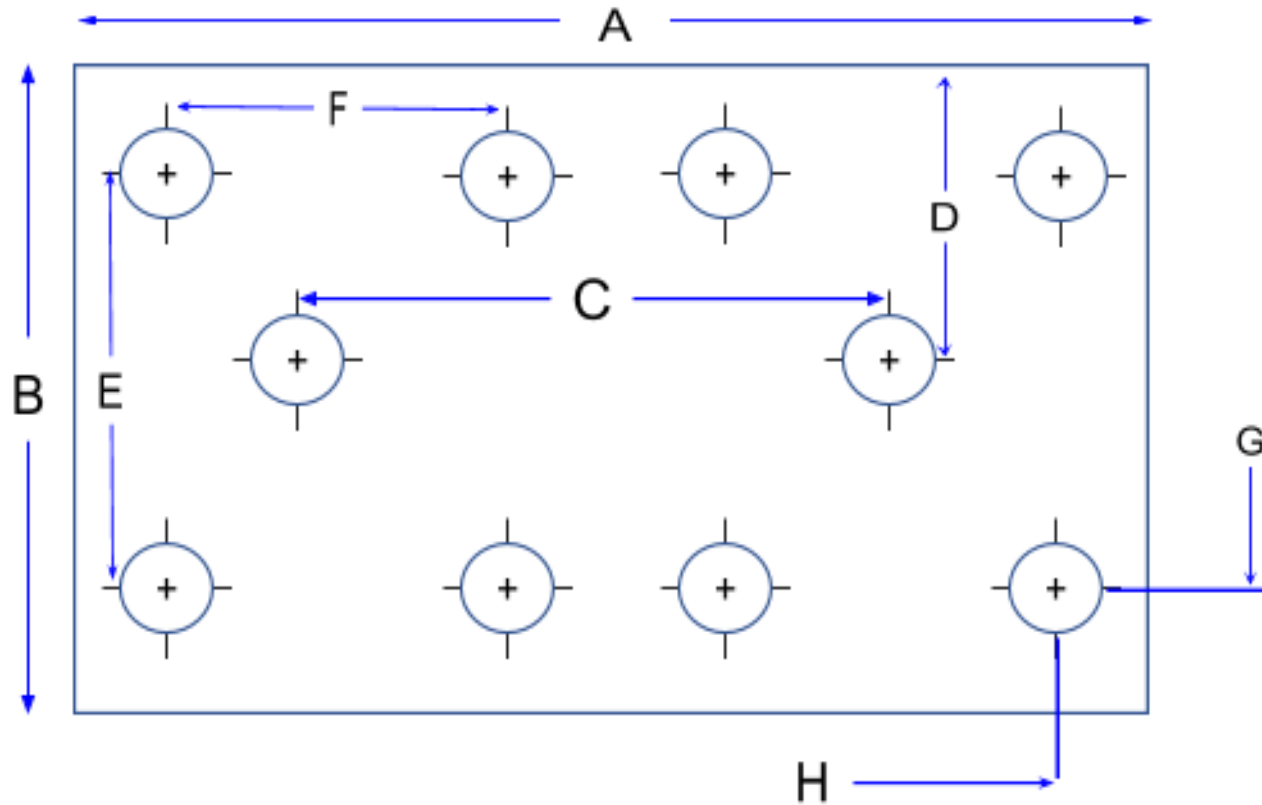
Phone Number: _____

Email Document to info@greatlakesfilters.com

or

Call Great Lakes Filters at (800) 521-8565





Notes:

Authorize Signature

X _____ Date: _____